



NEB1703 - RFID Reader

The RFID and NFC module automatically identifies persons and conducts access management and mobile payments. The accessory is easily installed by the user, providing an integrated solution and eliminating the need for external brackets or attachments.

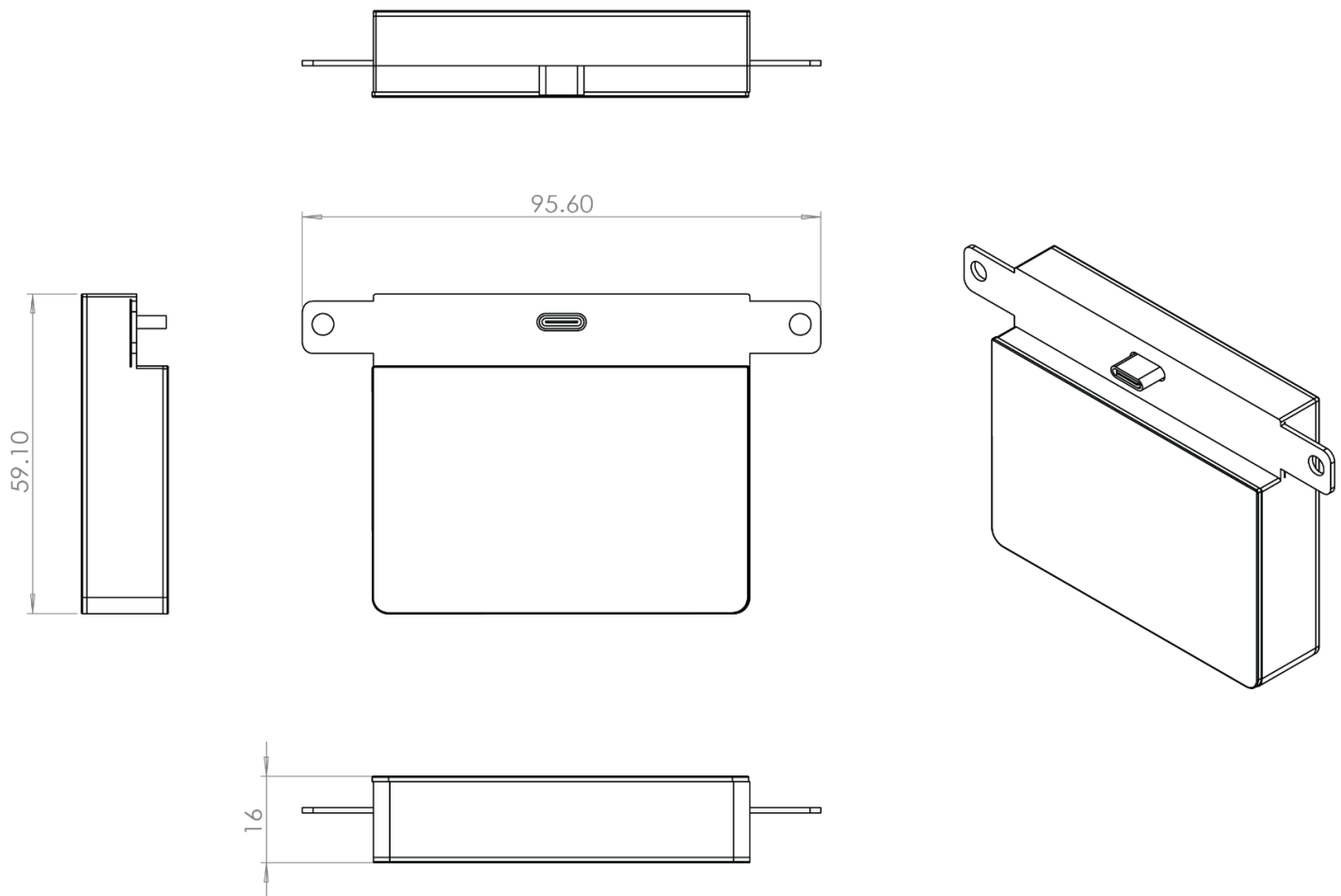
- Small and powerful RFID reader
- Reader and Writer
- Free Demo Application to guide and enhance the development progress.
- Free software that allows you to write the RFID standards to your RFID card.
- Firmware update in the field possible
- Support all current RFID standards for the frequency ranges 125 and 134.2 kHz as well as the 13.56 MHz band, including NFC.

## NEB1703 - RFID Reader Specification

Enclosure Color	Black
Interface	USB-C (NEB101 only)
Frequency Range	125 kHz/134.2 kHz (LF) / 13.56 MHz (HF)
SUPPORTED TRANSPONDERS (Standard)	<p><u>ISO14443A:</u> LEGIC Advant1), MIFARE Classic EV12), MIFARE Classic, MIFARE Mini, MIFARE DESFire EV1, MIFARE DESFire EV22), MIFARE Plus S, X, MIFARE Pro X3), MIFARE Smart MX3), MIFARE Ultralight, MIFARE Ultralight C, MIFARE Ultralight EV1, NTAG2xx, PayPass3), SLE44R35, SLE66Rxx (my-d move)3), Topaz <u>ISO14443B:</u> Calypso3), Calypso Innovatron protocol3), CEPAS3), HID iCLASS1), Moneo3), Pico Pass4), SRI4K, SRIX4K, SRI512, SRT512 ISO18092 ECMA-340: NFC Forum Tag 1-5, NFC Peer-to-Peer, Sony FeliCa5), NFC Active and passive communication mode</p> <p><u>ISO15693:</u> EM4x333), EM4x353), HID iCLASS1), HID iCLASS SE/SR1), ICODE SLI, LEGIC Advant1), M24LR16/64, MB89R118/119, SRF55Vxx (my-d vicinity)3), Tag-it, PicoPass4)</p> <p><u>125 kHz, 134.2 kHz:</u> AWID, Cardax, CASI-RUSCO, Deister6), EM4100, 4102, 42007), EM4050, 4150, 4450, 4550, EM43058), FDX-B, EM4105, HITAG 19), HITAG 29), HITAG S9), ICT8), IDTECK, Isonas8), Keri, Miro, Nedap6), PAC, Pyramid, Q5, T5557, T5567, T5577, TIRIS/HDX, TITAN (EM4050), UNIQUE, ZODIAC, Cotag, G-Prox6</p>
SUPPORTED TRANSPONDERS I	All Standard Transponders, Cotag, G-Prox6), HID DuoProx II, HID ISO Prox II, HID Micro Prox, HID ProxKey III, HID Prox, HID Prox II, Indala, ioProx, Nexwatch
SUPPORTED TRANSPONDERS II (With additional cost)	Requires external TWN4 SIO Card, All Standard Transponders, All Version P Transponders, HID iCLASS10), HID iCLASS SE/SR/SEOS(CSN and Facility Code/PAC)10), HID iCLASS Elite & SE Elite
Operating modes	USB keyboard emulation – USB virtual COM port – CCID / PC/SC 2.01
Transmission speed	Host: USB Full speed (12 Mbit/s)
READ- / WRITE DISTANCE	LF and HF: Up to 100 mm / 4 inch, depending on environment and transponder
What's in the Box	1 RFID module, 2 Screws

Product Weight	63g
Product Dimension	95.6 x 59.1 x 16m
Gift Box Weight	95g
Gift Box Dimension	140 x 83 x 44mm

## 2D Diagram



## CONTACT US

United States	Hong Kong	ShenZhen
<b>Representative Office</b> <b>1440 N. Harbor Blvd Suite 900</b> <b>Fullerton, CA 92835</b>	<b>Flat D, 5/F, Excelsior Building,</b> <b>364 Nathan Road,</b> <b>Kowloon, Hong Kong</b>	<b>Bldg 9, 4/F Zhong Yuntai</b> <b>Technology Industrial Park,</b> <b>Tangtou No.1 Road, Shiyuan Street,</b> <b>Baoan,</b> <b>ShenZhen, PRC</b>
626 228 5927	852 23762803	86 755 2600 1808
<a href="mailto:sales@glorystargroup.com">sales@glorystargroup.com</a>	<a href="mailto:sales@glorystargroup.com">sales@glorystargroup.com</a>	<a href="mailto:sales@glorystargroup.com">sales@glorystargroup.com</a>

To find out more about our extensive range of Glory Star solutions, go to [www.glorystargroup.com](http://www.glorystargroup.com), or call the office nearest you. For more information, please contact us at [sales@glorystargroup.com](mailto:sales@glorystargroup.com). Glory Star reserves the right to change or update, without notice, any information contained herein; to change, without notice, the design, construction, materials, processing or specifications of any products; and to discontinue or limit production or distribution of any products. Glory Star, the Glory Star logo, STAR CONTROL and STAROS are either trademarks or registered trademarks of Glory Star Group Limited. All other trademarks are the property of their respective owners.